

Operation Manual

(Air purifier SP-03)

Safety Instructions

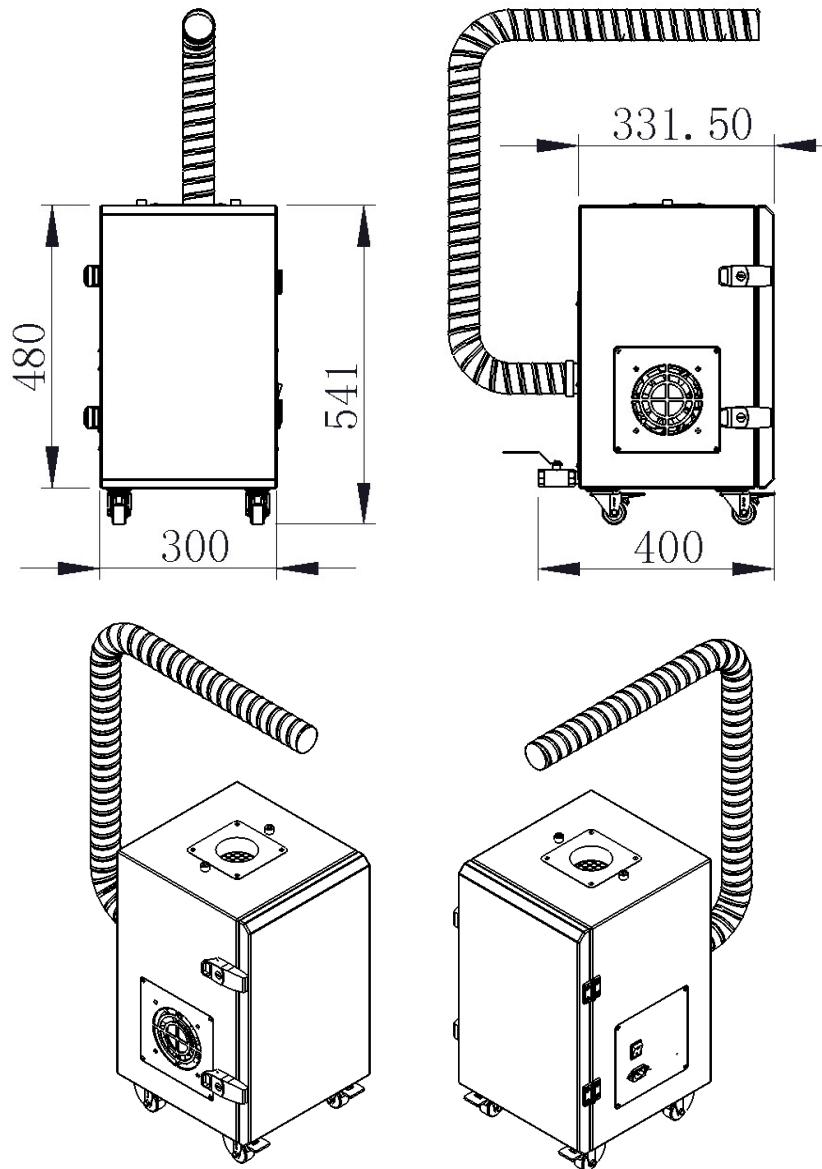
**When using your Smoke purifier,
basic precautions should always be followed,
including the following:**

1. Read all instructions.
2. Use smoke purifier only for its intended use.
3. To reduce the risk of electric shock, do not immerse the smoke purifier in water or other liquids.
4. Never pull cord to disconnect from outlet, instead grasp plug and pull to disconnect.
5. Do not operate smoke purifier with a damaged cord or if the equipment has been dropped or damaged. To reduce the risk of electric shock, do not disassemble or attempt to repair the smoke purifier. Take it to a qualified service person for examination and repair. Incorrect assembly or repair could increase the risk of fire, electric shock, or injury to persons when the equipment is used.
6. This appliance is not intended for use by persons (including children) with reduced physical, sensory or mental capabilities, or lack of experience and knowledge, unless they have been given supervision or instruction concerning use of the appliance by a person responsible for their safety.
7. Close supervision is necessary for any smoke purifier being used by or near children. Do not leave equipment unattended while connected.
8. To reduce the likelihood of circuit overload, do not operate other high voltage equipment on the same circuit.
9. If an extension cord is necessary, then a 20 amperage rated cord should be used. Cords rated for less amperage may overheat. Care should be taken to arrange the cord so that it cannot be pulled or tripped over.

Table Of Contents

Safety Instructions.....	1
Technical Parameters.....	3
Machine View.....	4
Control Panel Guide.....	5
Operating Instructions.....	6

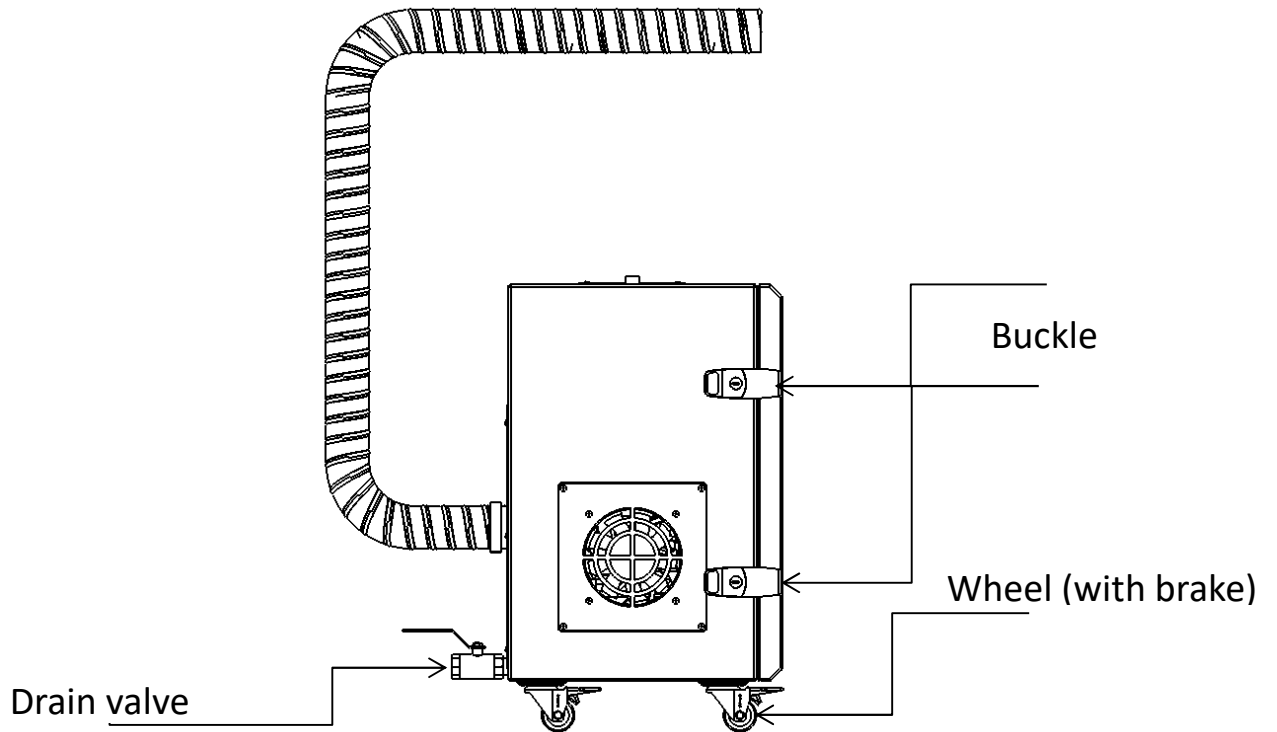
Technical Parameters



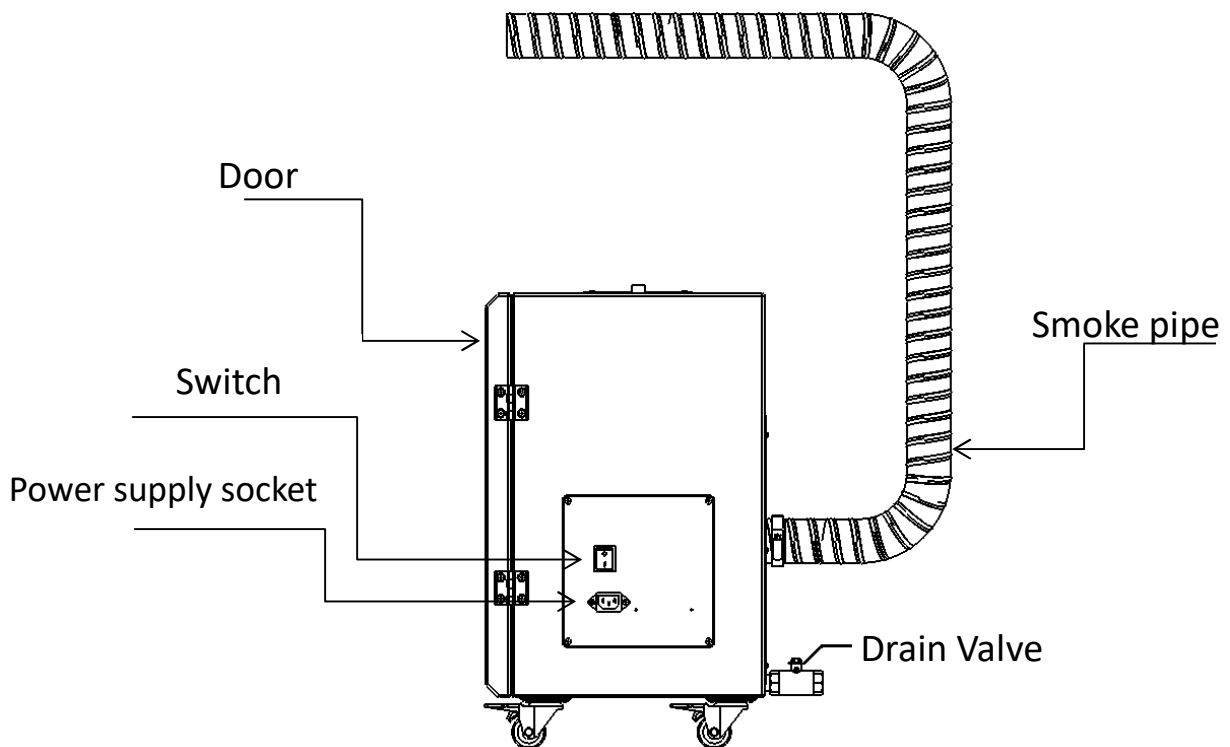
Model:	SP-03	
Power:	62W, 0.3A, 220V	62W, 0.6A, 110V
Machine Size:	300×400×541mm 11 ¾" × 15 ¾" × 21 ¼ in	300×400×541mm 11 ¾" × 15 ¾" × 21 ¼ in
Packing Size:	440×520×640cm 17 3/8 × 20 ½ × 25 1/5 in	440×520×640cm 17 3/8 × 20 ½ × 25 1/5 in
Packing Weight:	30Kg 66lbs	30Kg 66lbs
Certificate:	CE,FCC	CE,FCC
Warranty:	One year except for the filter board	One year except for the filter board

Machine View

Front View

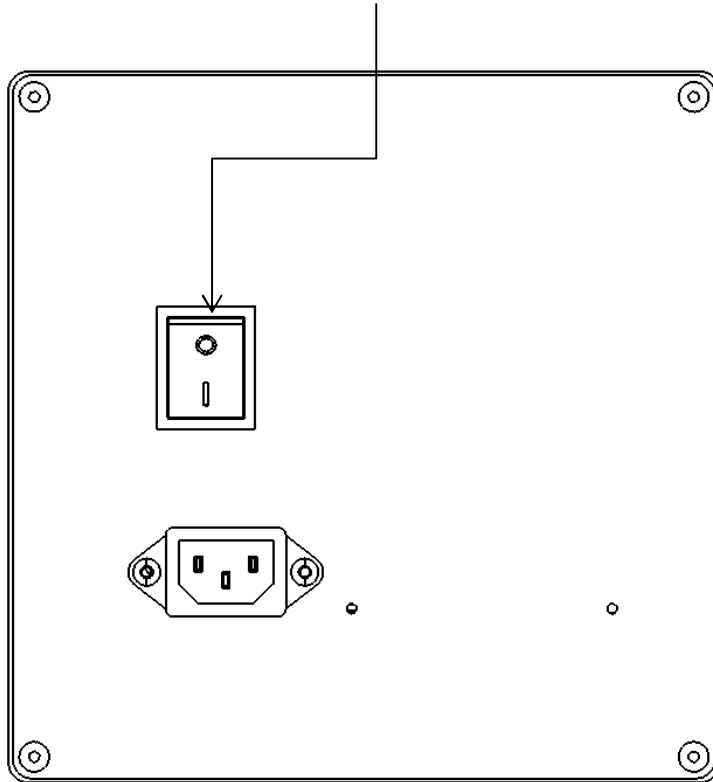


Right View



Control Panel Guide

Motor indicator for on / off: light on when starting, light off when stopping



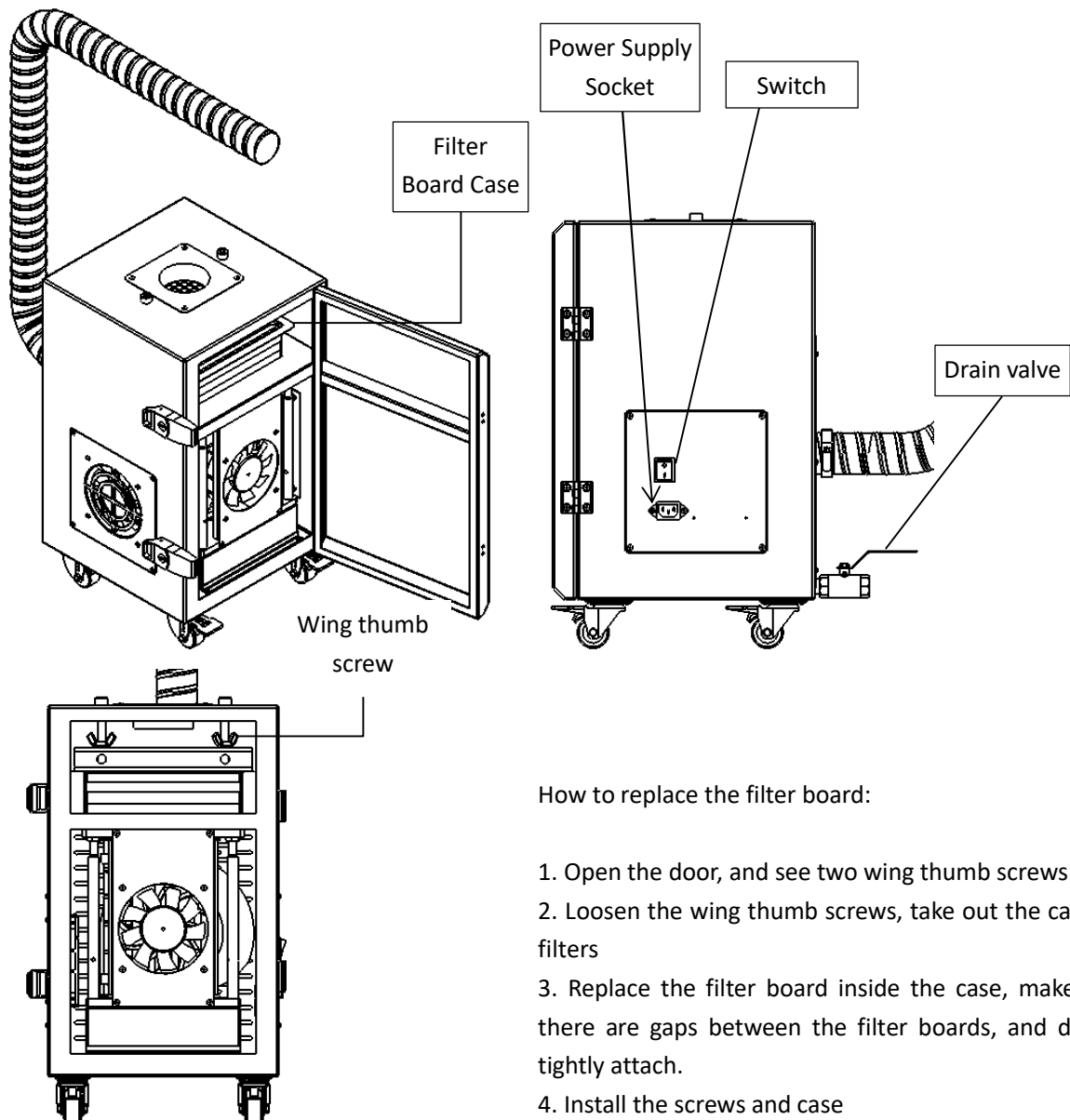
Operation Instructions

1. Plug in the power cord and the universal smoking pipe;
2. Press the Power Switch, the motor start and stop indicator light is on;
3. Adjust the universal smoking pipe to the direction in which the working exhaust gas is to be sucked;

NOTE: If the supply cord is damaged, it must be replaced by the manufacturer, its service agent or a similarly qualified person in order to avoid hazard.

Operation Introduction:

1. Turn on the switch after plug in, and the machine will start working
2. After each period of use, open the drain valve to drain the water from the machine
3. Filter Change Frequency:
 - i. HEPA Filter (sku : J.03.06.0307) every 3 months
 - ii. Carbon Filter (sku : J.03.06.0308) - every 3 months



How to replace the filter board:

1. Open the door, and see two wing thumb screws
2. Loosen the wing thumb screws, take out the case for filters
3. Replace the filter board inside the case, make sure there are gaps between the filter boards, and do not tightly attach.
4. Install the screws and case